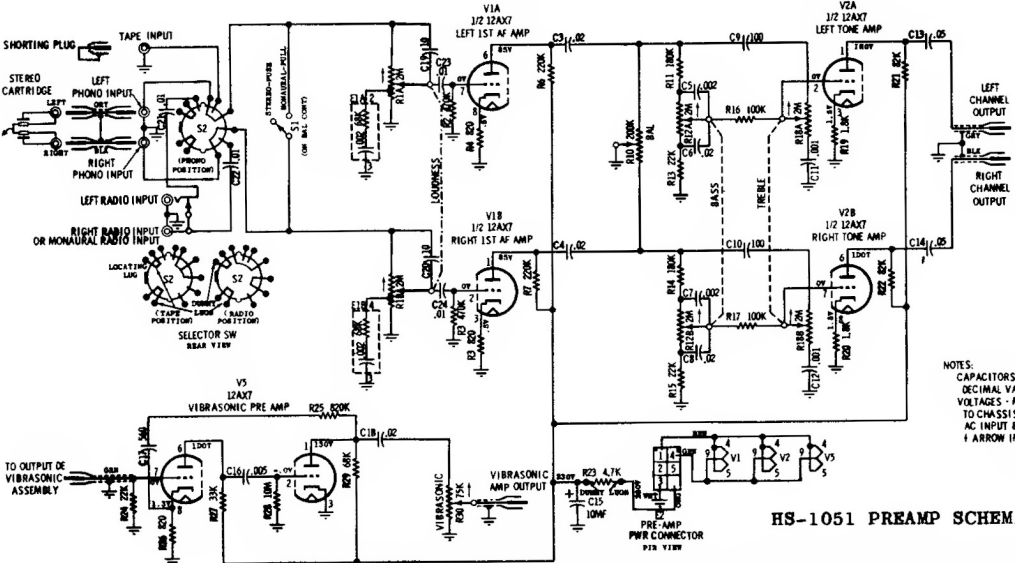
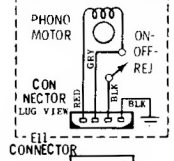


MOTOROLA

HS-1049 POWER AMP & POWER SUPPLY SCHEMATIC DIAGRAM

NOTES:
 CAPACITORS - UNLESS OTHERWISE SPECIFIED
 DECIMAL VALUES IN MF, ALL OTHERS IN MMF.
 VOLTAGES - MEASURED FROM POINT INDICATED
 TO CHASSIS WITH A VTVM, ±10% NO SIGNAL INPUT
 WITH PRE-AMP IN PHONO POSITION 120V AC INPUT.
 * E9 & E10 ARE COMPRESSION LAMPS

RECORD CHANGER WIRING



**Chassis HS-1049
 with HS-1051
 used in sets
 SK106, SK107,
 SK109, SK110.**

NOTES:
 CAPACITORS - UNLESS OTHERWISE SPECIFIED,
 DECIMAL VALUES IN MF, ALL OTHERS IN MMF.
 VOLTAGES - MEASURED FROM POINT INDICATED
 TO CHASSIS WITH A VTVM, ±10% WITH 120V
 AC INPUT & NO SIGNAL IN. S2 IN PHONO POSITION,
 † ARROW INDICATED CLOCKWISE ROTATION OF CONTROL.

HS-1051 PREAMP SCHEMATIC DIAGRAM